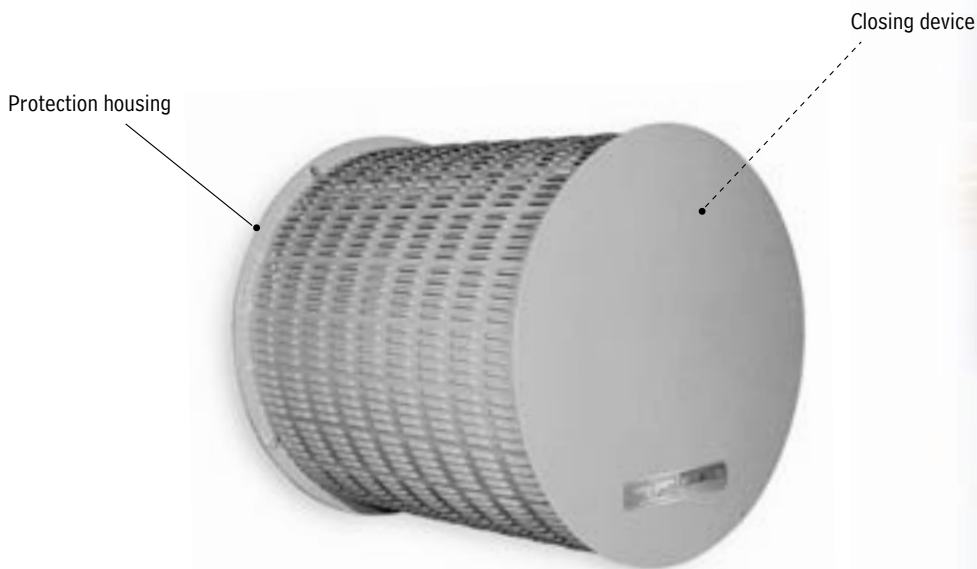




Blast Valve

Type E 3603

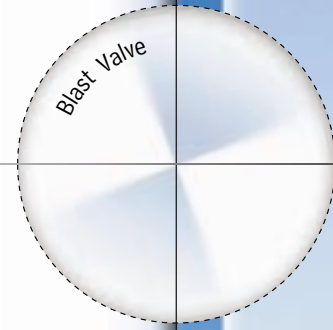


Overview

The Blast Valve Type E 3603 is a heavy duty valve which protects the interior of a shelter from blast waves caused by outside explosions. The valve is normally open. If the air flow rate exceeds the nominal value by approx. 80 %, the valve will close instantly. It can withstand blast waves of 3 bar (42 psi) (infalling pressure). The valve is tested and certified to the Israeli Standards 4570 by the Civil Defence Command and the Standards Institution of Israel.

Description

The Blast Valve Type E 3603 is a valve against explosive and implosive waves. It is maintenance-free, temperature and corrosion resistant. The springs are manufactured from special stainless steel and all steel parts are phosphate treated and finished with a powder coating.

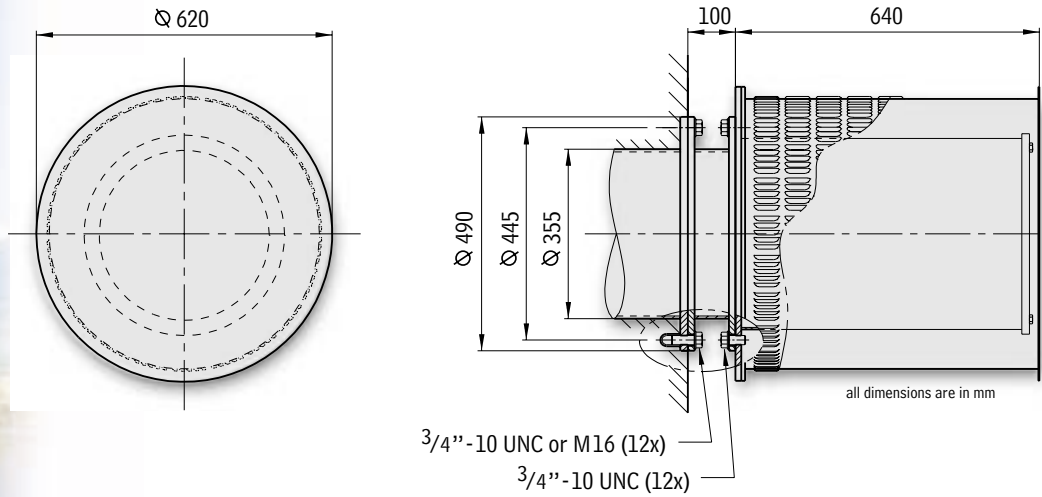
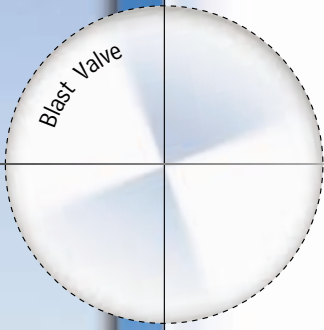


Usage

- Has to be installed at the air intake inside the shelter.
- Has to be installed on an 14" flange according to BS 4504 - PN 6 or DIN 2501 - PN 6
- Should only be installed together with "Noah's Ark" equipment manufactured by Beth-El Industries to ensure maximum performance



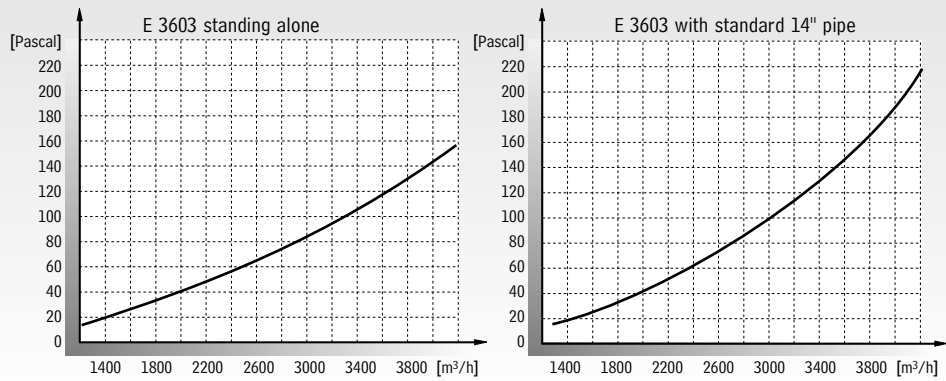
Beth-El Zikhron Yaaqov
Industries Ltd.
1 Avshalom Road, P.O. Box 166
Zikhron Yaaqov 30951, Israel
Tel.: +972-4-629 9999
Fax: +972-4-629 1110



Certifications:

- Tested and certified to IS 4570 by the Standards Institution of Israel
- Approved by the Civil Defence Command of Israel
- Quality Control according to ISO 9001
- Quality Assurance AQAP 120

Pressure Drop on Airflow E 3603:



Specifications E 3603:

| | | |
|--------------------------------|-------------------------|-------------------------|
| Airflow rate: | up to 5000 (2940) | m ³ /h (cfm) |
| Flow resistance: | see diagram | |
| Incident pressure durability: | 300 (42) | kPa (psi) |
| Reflected pressure durability: | 1100 (154) | kPa (psi) |
| Working temperature: | +5 to +70 (+40 to +160) | °C (°F) |
| Mechanical shock resistance: | 20 | g |

Specifications are subject to change without prior notice

