

## Blast Valve with Prefilter

### Type ESVF 1603



#### Overview

The Blast Valve with Prefilter Type **ESVF 1603** is a heavy duty valve which protects the interior of a shelter from blast waves caused by outside explosions. A prefilter with an efficiency of 85% is fully integrated. The valve is normally open. If the air flow rate exceeds the nominal value by approx. 80%, the valve will close instantly. It can withstand blast waves of 3 bar (42 psi) (infalling pressure). The valve is tested and certified to the Israeli Standard 4570 by the Civil Defence Command and the Standards Institution of Israel.

#### Description

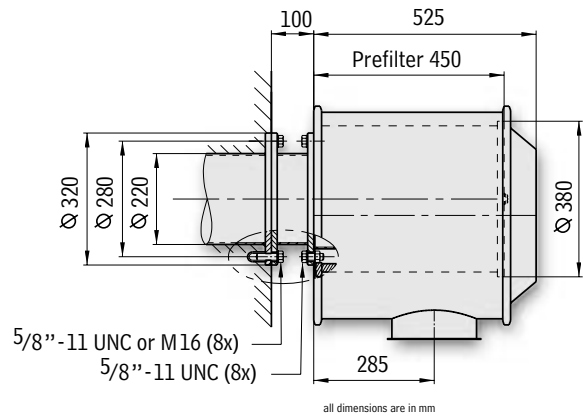
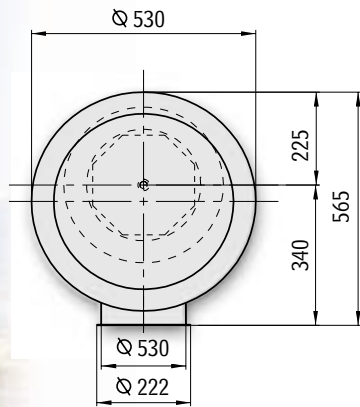
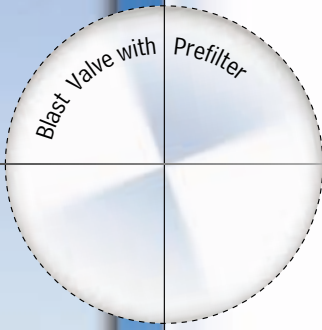
The Blast Valve with Prefilter Type **ESVF 1603** is a valve against explosive and implosive waves. It is maintenance-free, temperature and corrosion resistant. The springs are manufactured from special stainless steel and all steel parts are phosphate treated and finished with a powder coating.

#### Usage

- Has to be installed at the air intake inside the shelter in a vertical position to ensure proper operation
- Has to be installed on an 8" flange according to BS 4504 - PN 6 or DIN 2501 - PN 6
- Should only be installed together with "Noah's Ark" equipment manufactured by Beth-El Industries to ensure maximum performance



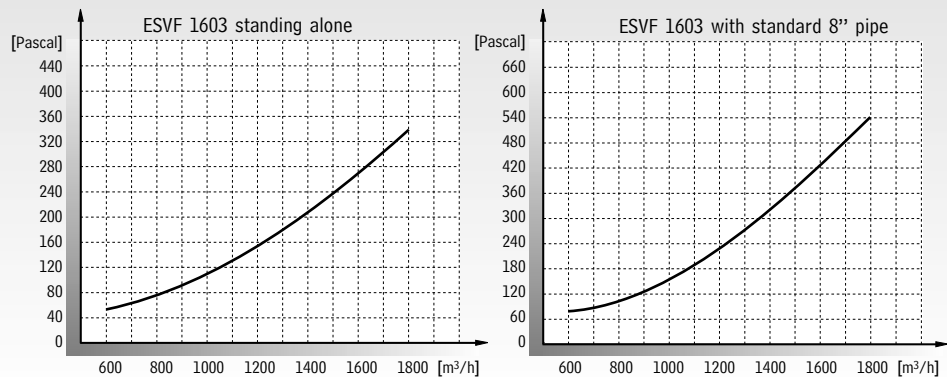
Beth-El Zikhron Yaaqov  
Industries Ltd.  
1 Avshalom Road, P.O. Box 166  
Zikhron Yaaqov 30951, Israel  
Tel.: +972-4-629 9999  
Fax: +972-4-629 1110



**Certifications:**

- Tested and certified to IS 4570 by the Standards Institution of Israel
- Approved by the Civil Defence Command of Israel
- Quality Control according to ISO 9001
- Quality Assurance AQAP 120

**Pressure Drop on Airflow ESVF 1603 (with protection housing):**



**Specifications ESVF 1603 (with protection housing):**

Airflow rate:	up to 1800 (1065)	m <sup>3</sup> /h (cfm)
Flow resistance:	see diagram	
Incident pressure durability:	300 (42)	kPa (psi)
Reflected pressure durability:	1100 (154)	kPa (psi)
Working temperature:	+5 to +70 (+40 to +160)	°C (°F)
Mechanical shock resistance:	20	g

Specifications are subject to change without prior notice

