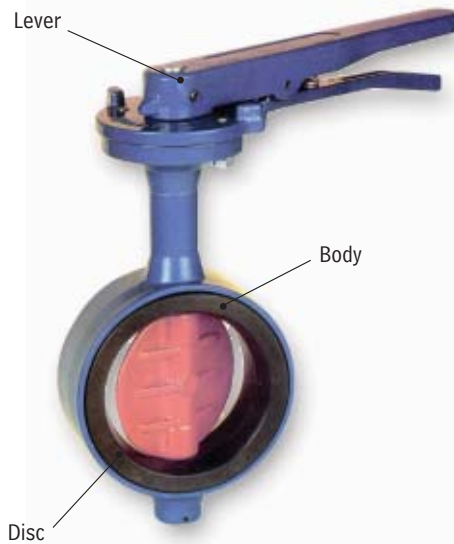




Gas-tight Shut-off Valve

PPV 80 - PPV 800



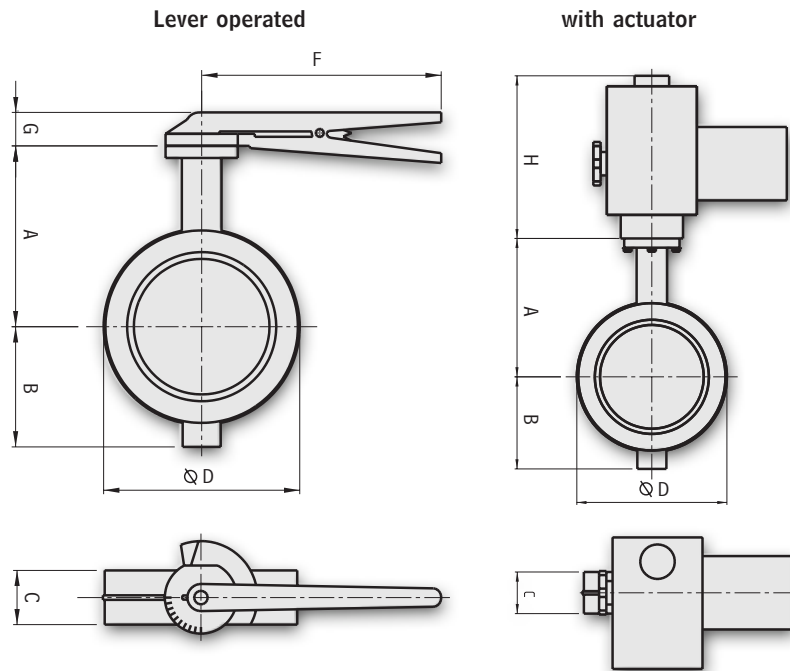
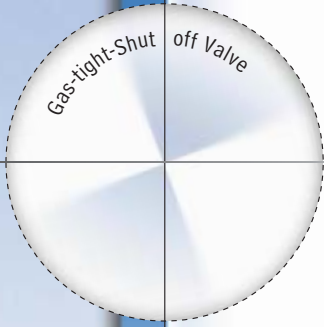
With achieved Excellency, the PPV Valves are a reliable solution to the requirement of gas tight shut off valves in Bomb Shelters. The vulcanized rubber lining, light weight body and long neck, all contribute to the manicured performance of the Gas-tight Shut-off Valve. The smooth disc without pins of screws and the intensive split shaft make operation smooth.

Usage

- Available in a variety of different size
- Should be installed only together with equipment of the Beth-El Production line to ensure maximum performance



Beth-El Zikhron Yaaqov
Industries Ltd.
1 Avshalom Road, P.O. Box 166
Zikhron Yaaqov 30951, Israel
Tel.: +972-4-629 9999
Fax: +972-4-629 1110



Nominal diameter		Dimensions, mm							Weight, kg		Weight, kg	
mm	inch	A	B	C	D	F	G	H	Lever operated	Type	with actuator	Type
80	3	157.5	89	46	142/128	265	37	240	2.45	A	8.45	I
100	4	168.3	99.7	52	160	265	37	270	2.93	A	9.93	I
125	5	179	127	56	191	265	37	270	4.7	A	10.7	I
150	6	200	133	56	217	265	37	270	5.2	A	12.2	I
200	8	241	158	60	275	354	35	270	9.3	A	25.3	I
250	10	280	210	68	330	440	55	270	27	A	44	I
300	12	202	195	53	344	*	*	270	16	A	21	A
350	14	227	220	60	394	*	*	270	18	A	28	A
400	16	263	260	60	456	*	*	270	20	A	30	A
450	18	290	280	60	510	*	*	270	22	A	37	A
500	20	315	305	60	560	*	*	270	25	A	45	A
600	24	375	365	60	680	*	*	270	40	A	67	A
700	28	460	450	110	792	*	*	270	62	A	89	A
800	32	510	500	110	894	*	*	270	68	A	95	A

Ordering Guide

Order No.: PPV I - II - III
Example.: PPV 150 - I - E

Nominal Diameter	I
Ø 80	80
Ø 100	100
Ø 125	125
Ø 150	150
Ø 200	200
Ø 250	250
Ø 300	300
Ø 350	350
Ø 400	400
Ø 450	450
Ø 500	500
Ø 600	600
Ø 700	700
Ø 800	800

Type	II
Body: Aluminium Disc: Stainless steel Seat: EPDM	A
Body: Ductile iron Disc: Stainless steel Seat: EPDM	I

Actuator	III
Lever operated	L
Electric driven	E

Specifications are subject to change without prior notice

