

Magnehelic Differential pressure Gauges



Usage

- Should be installed only together with equipment of the Beth-El Production line to ensure maximum performance
- Variety of ranges available

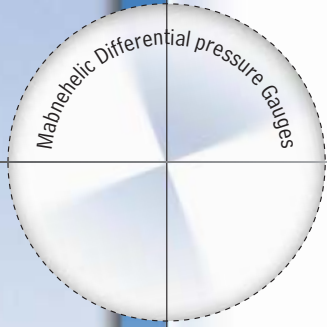
Selected for its high accuracy, the cost effective Dwyer Magnehelic differential pressure Gauge, is guaranteed to be accurate within 2% (of full scale) suiting precise needs. Low air or non-corrosive gas pressures, positive, negative (vacuum) or differential, are quickly indicated using simple frictionless movement. It is designed to resist shock, vibration and over-pressures. The Differential Pressure Gauges withstand a blast pressure of 40 Bars at an impulse of 70 bar ms.

It has no manometer fluid, alleviating the problems of fluid evaporation, freezing, toxicity or leveling difficulties.

Tested and tried they have been certified for compliance to the Israeli and Singaporean Standards.

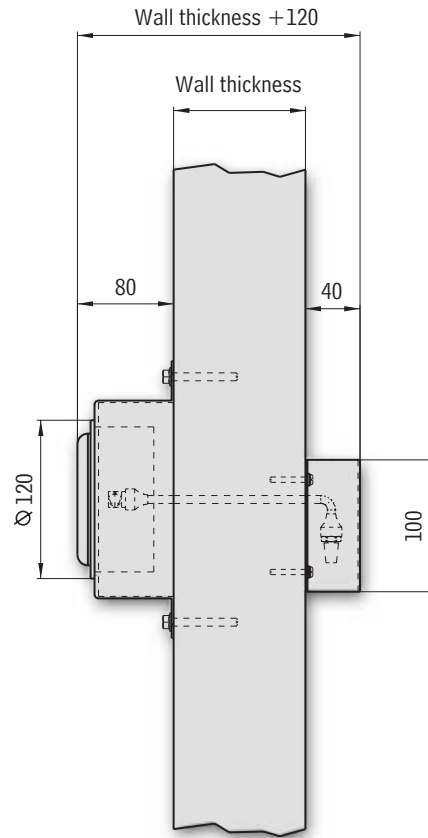
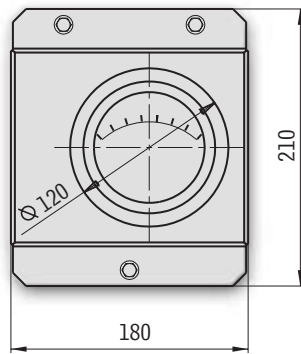


Beth-El Zikhron Yaaqov
Industries Ltd.
1 Avshalom Road, P.O. Box 166
Zikhron Yaaqov 30951, Israel
Tel.: +972-4-629 9999
Fax: +972-4-629 1110



Certifications:

- Tested and certified by the standards Institution of Israel
- Quality Control according to ISO 9001 and AQAP 120



Differential Pressure Gauges		
Model Number		Range mm of Water
2000-6MM	006	0-6
2000-10MM	010	0-10
2000-25MM	025	0-25
2000-50MM	050	0-50
2000-80MM	080	0-80
2000-100MM	100	0-100
2000-15CM	150	0-150
2000-20CM	200	0-200
2000-25CM	250	0-250
2000-50CM	500	0-500

Ordering Guide

Order No.: **Prefix** **Model No.**
 Example.: B 41005 - 025

Specifications are subject to change without prior notice

