

## Over/Under Pressure Valve

### Type AE 30



#### Usage

The valve is designed to connect to an 8" flange with 8 screws 5/16". (connection to 4"/6" on request)

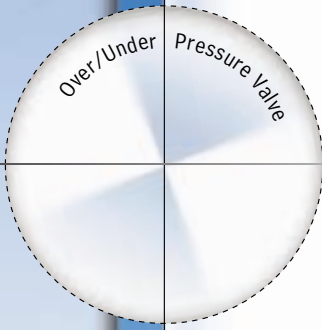
#### Over/Under Pressure Valve Type AE 30 for outside installation

The over/under pressure valve Type AE 30 for outside installation will equalize the pressure fluctuations between the outside and the inside of the Dry Storage Building (DSB). The valve is a steel construction assembly welded together with a powder coated surface finish. Mounting is performed to a pre-installed flange attached to the wall.

Activation of valve movement is caused by pressure differences and requires no additional power supply.

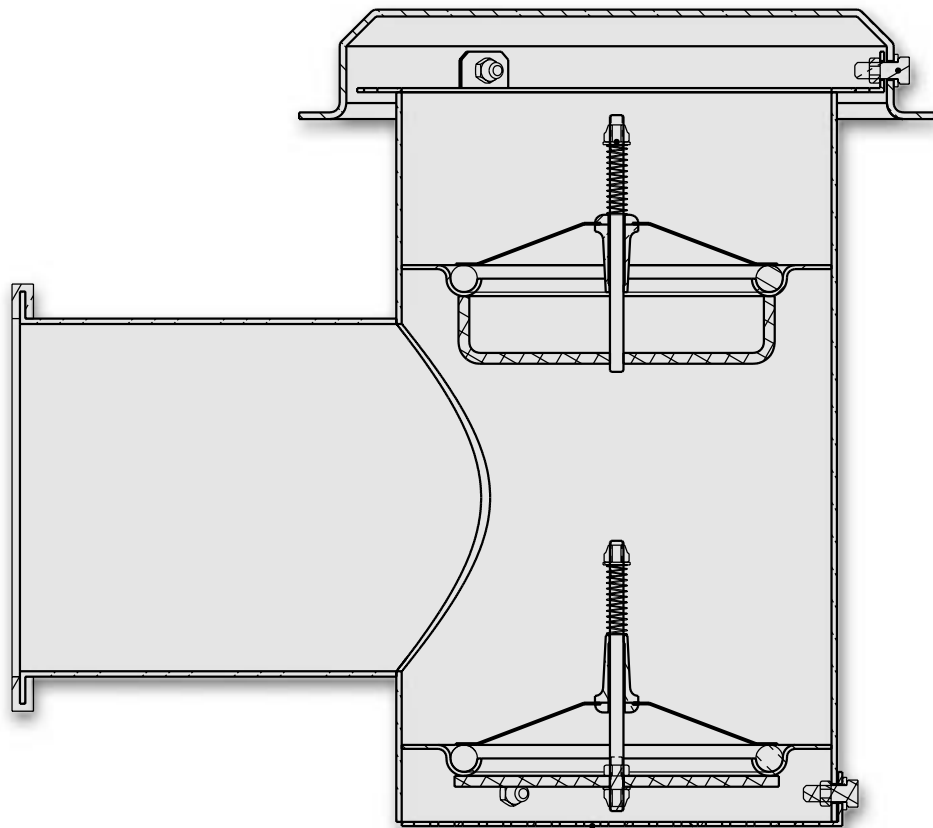


Beth-El Zikhron Yaaqov  
Industries Ltd.  
Avshalom Road 1, P.O. Box 166  
30951 Zikhron Yaaqov, Israel  
Tel.: +972-4-629 9999  
Fax: +972-4-629 1110



At approx. 25 pascal (0.1" WC) pressure difference between the inside and outside of the building, the over/under pressure valve will open and regulate the pressure difference. The over/under pressure valve Type AE 30 is designed for an airflow of approx. 30 m<sup>3</sup>/h. This airflow corresponds to a difference in temperature of 2 °C within one hour at a room volume of 4000 m<sup>3</sup>.

To ensure proper function of the valve half yearly maintenance is required.



Specifications are subject to change without prior notice

