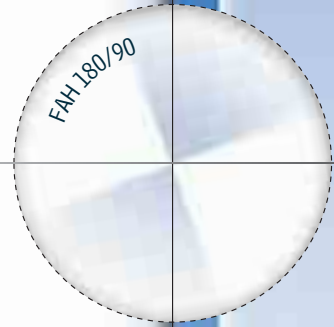




... and life goes on !



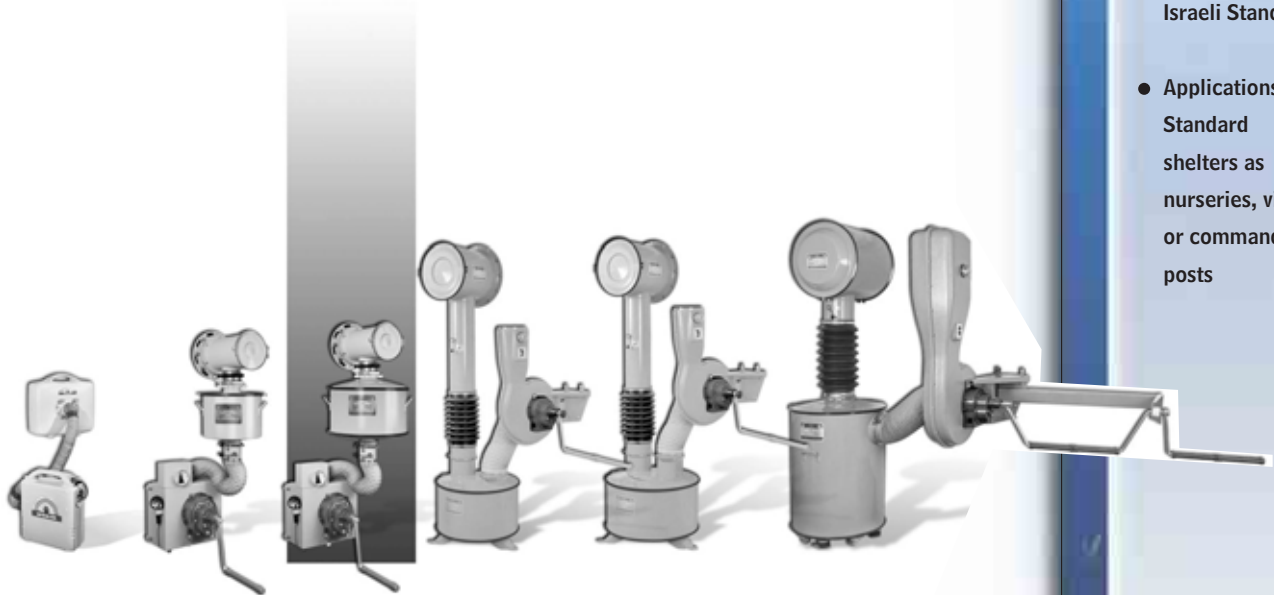
NBC Filtration System

Type FAH 180/90

Certified to compliance with the
Israeli Standard 4570 by the
ISRAELI STANDARDS INSTITUTION and
the **ISRAELI CIVIL DEFENCE COMMAND**

Features:

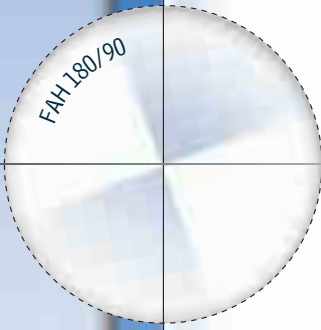
- NBC-Protection for 15 Persons (according to Israeli Standard)
- Applications in Standard shelters as nurseries, villas or command posts



Rainbow 36 FAH 100/50 FAH 180/90 FAH 480/180 FAH 800/300 FAH 1600/600



Beth-El Zikhron Yaaqov
Industries Ltd.
1 Avshalom Road, P.O. Box 166
Zikhron Yaaqov 30951, Israel
Tel.: +972-4-629 9999
Fax: +972-4-629 1110



Certifications:

- Tested and certified by the Standards Institution of Israel and the Israeli Institute for Biological Research
- Approved by the Civil Defence Command
- CE - Hallmarks for Electrical Safety and EMI compliance
- Quality Control according to ISO 9001 and AQAP 120

Description Type FAH 180/90:

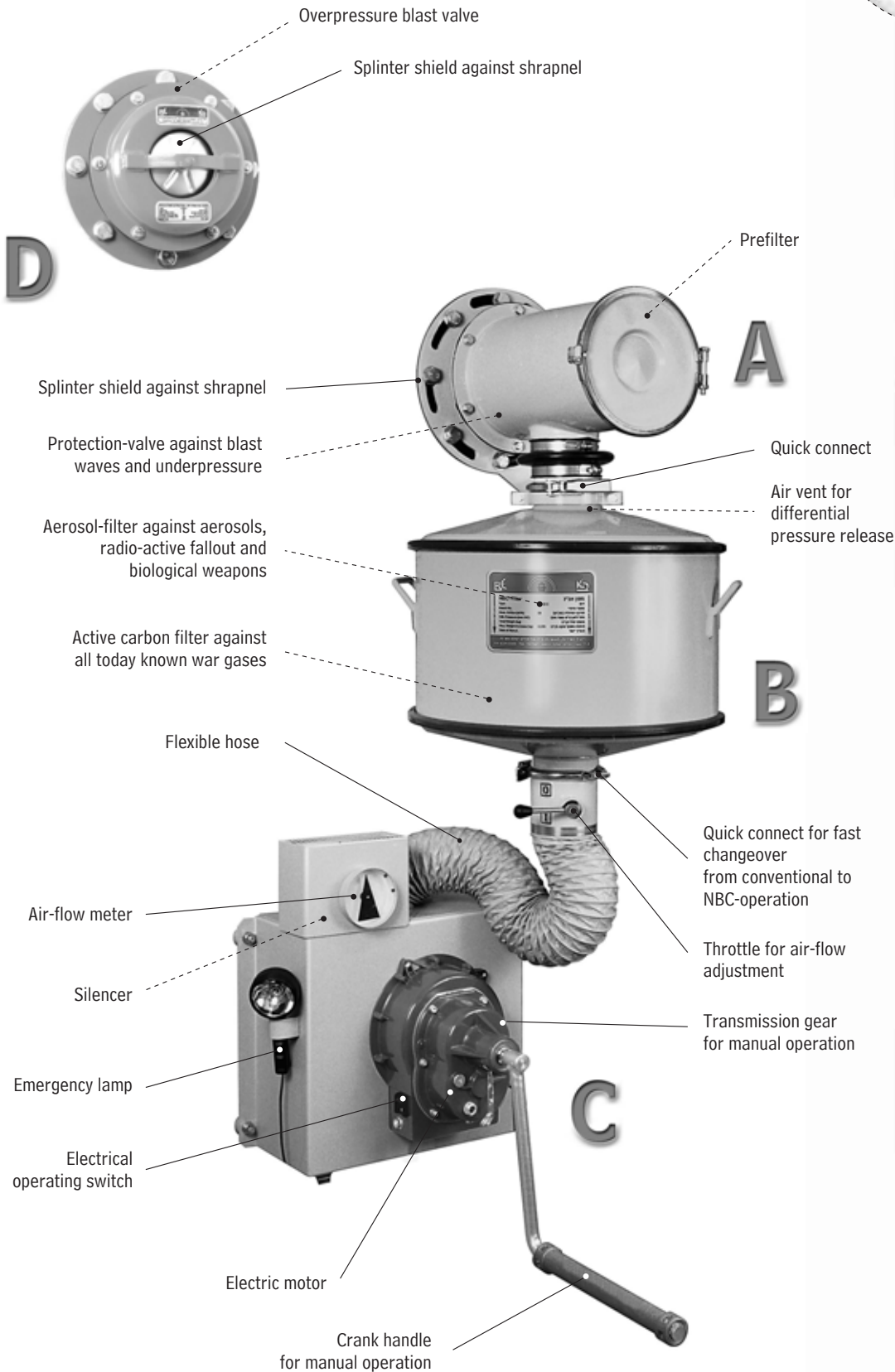
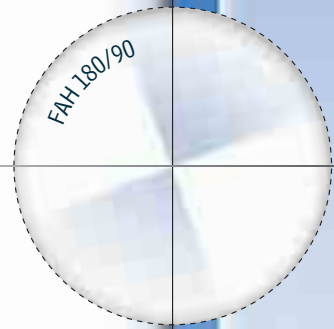
The NBC-Filtration System Type FAH 180/90 is a collective filtration system for airtight shelters and compartments, certified to supply 180 m³/h (105 cfm) fresh air and 90 m³/h (55 cfm) filtered air. The system provides filtered air in the case of NBC (Nuclear/Biological/ Chemical) warfare, or fresh air in the case of conventional warfare.

The system creates overpressure inside the protected area providing a safe and comfortable environment without the need for gas masks or protective clothing. The system is operated by normal electric power with manual backup in case of power failure.

A Blast Valve with Prefilter ESVF 183:			
Pressure durability:		300 (42)	kPa (psi)
Pressure drop:	Ventilation mode	250 (1)	Pa (inch WC)
	Filtration mode	70 (0.3)	Pa (inch WC)
B NBC-Filter HF 90 C:			
Air flow rate:		90 (55)	m ³ /h (cfm)
Pressure drop:		440 (1.7)	Pa (inch WC)
Weight of active carbon:		13.6 (30)	kg (lbs)
Total weight:		37 (82)	kg (lbs)
Separation efficiency with particle size of 0.3 micron:		99.999	%
C Blower LH 180/90:			
Air flow:	Ventilation mode	180 (105)	m ³ /h (cfm)
	Filtration mode	90 (55)	m ³ /h (cfm)
Air pressure:	Ventilation mode	1250 (4.9)	Pa (inch WC)
	Filtration mode	1410 (5.6)	Pa (inch WC)
Electric motor:	Voltage (single phase)	230	Volt
	Current	1.4	Ampere
Manual operation:		1	Person
Noise level:		67.5	dB(A)
D Overpressure Blast Valve A 203:			
Pressure durability:		300 (42)	kPa (psi)
Pressure drop:	Ventilation mode	200 (0.8)	Pa (inch WC)
	Filtration mode	140 (0.6)	Pa (inch WC)

Specifications are subject to change without prior notice



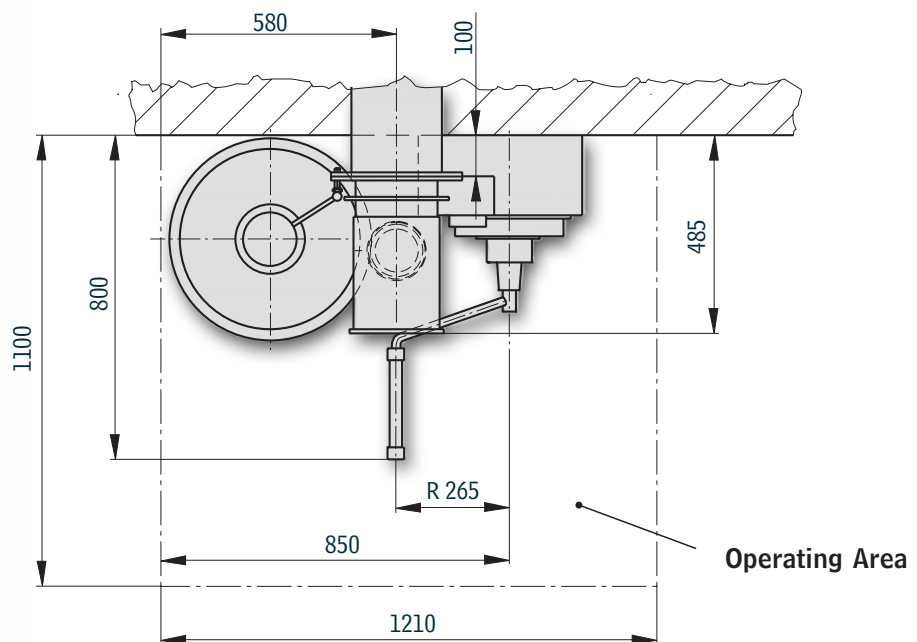
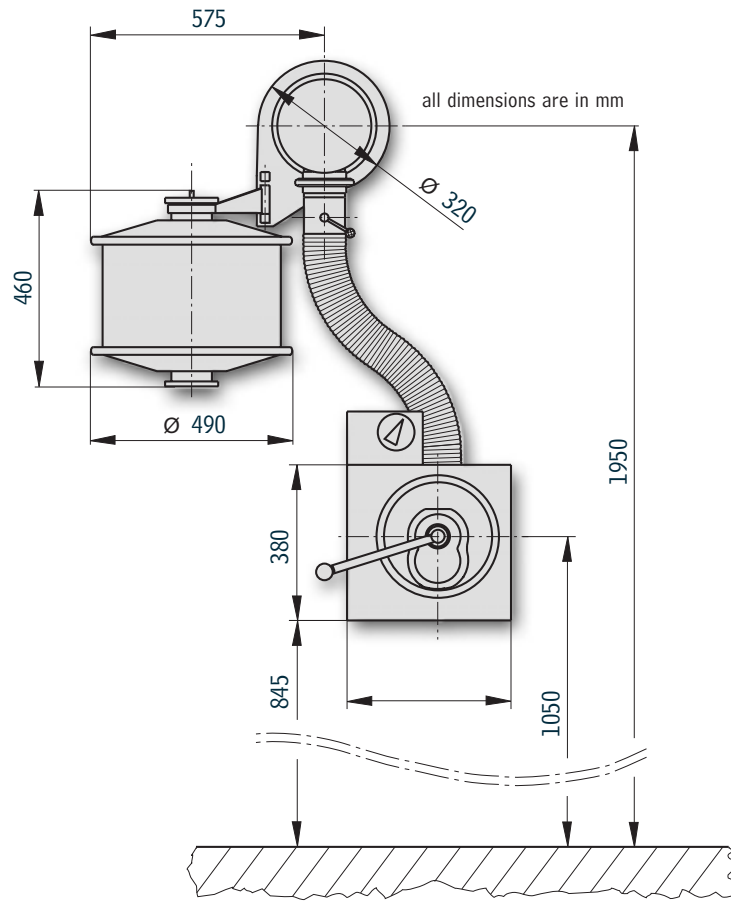
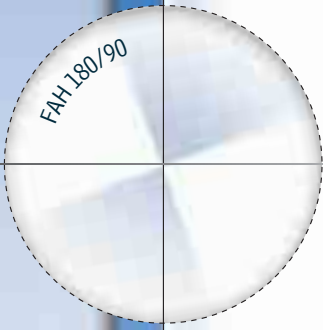


SYSTEM FEATURES

- Additional performance capabilities for use in subtropical and tropical environment
- High blast protection according to the experiences of the Gulf War
- Manual backup in case of external power disruption



Beth-El Zikhron Yaaqov Industries Ltd.
 1 Avshalom Road, P.O. Box 166
 Zikhron Yaaqov 30951, Israel
 Tel.: +972-4-629 9999
 Fax: +972-4-629 1110



Installation Requirements:

1. Standard air tight shelter/ compartment
2. Air inlet:
Standard 8" flange in an outer wall.

Center line:
1.90-2.10 m
(75-85 inches)
above the floor.

3. Air outlet:
Standard 8" flange, located preferably opposite the air inlet.

Specifications are subject to change without prior notice

