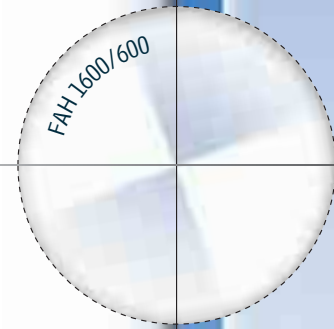




... and life goes on !



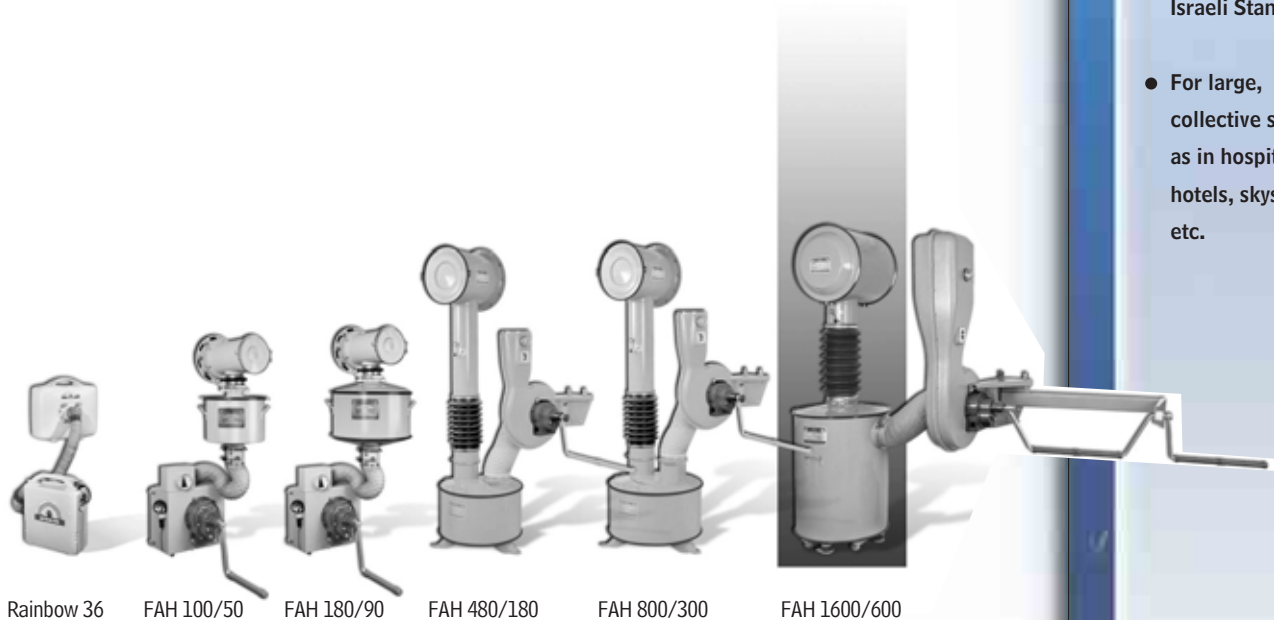
NBC Filtration System

Type FAH 1600/600

Certified to compliance with the
Israeli Standard 4570 by the
ISRAELI STANDARDS INSTITUTION and
the **ISRAELI CIVIL DEFENCE COMMAND**

Features:

- NBC-Protection for 100 Persons (according to Israeli Standard)
- For large, collective shelters as in hospitals, hotels, skyscrapers etc.



Rainbow 36

FAH 100/50

FAH 180/90

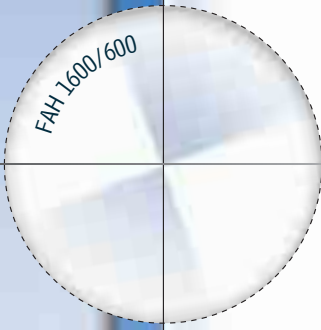
FAH 480/180

FAH 800/300

FAH 1600/600



Beth-El Zikhron Yaaqov
Industries Ltd.
1 Avshalom Road, P.O. Box 166
Zikhron Yaaqov 30951, Israel
Tel.: +972-4-629 9999
Fax: +972-4-629 1110



Certifications:

- Tested and certified by the Standards Institution of Israel and the Israeli Institute for Biological Research
- Approved by the Civil Defence Command
- CE - Hallmarks for Electrical Safety and EMI compliance
- Quality Control according to ISO 9001 and AQAP 120

Description Type FAH 1600/600:

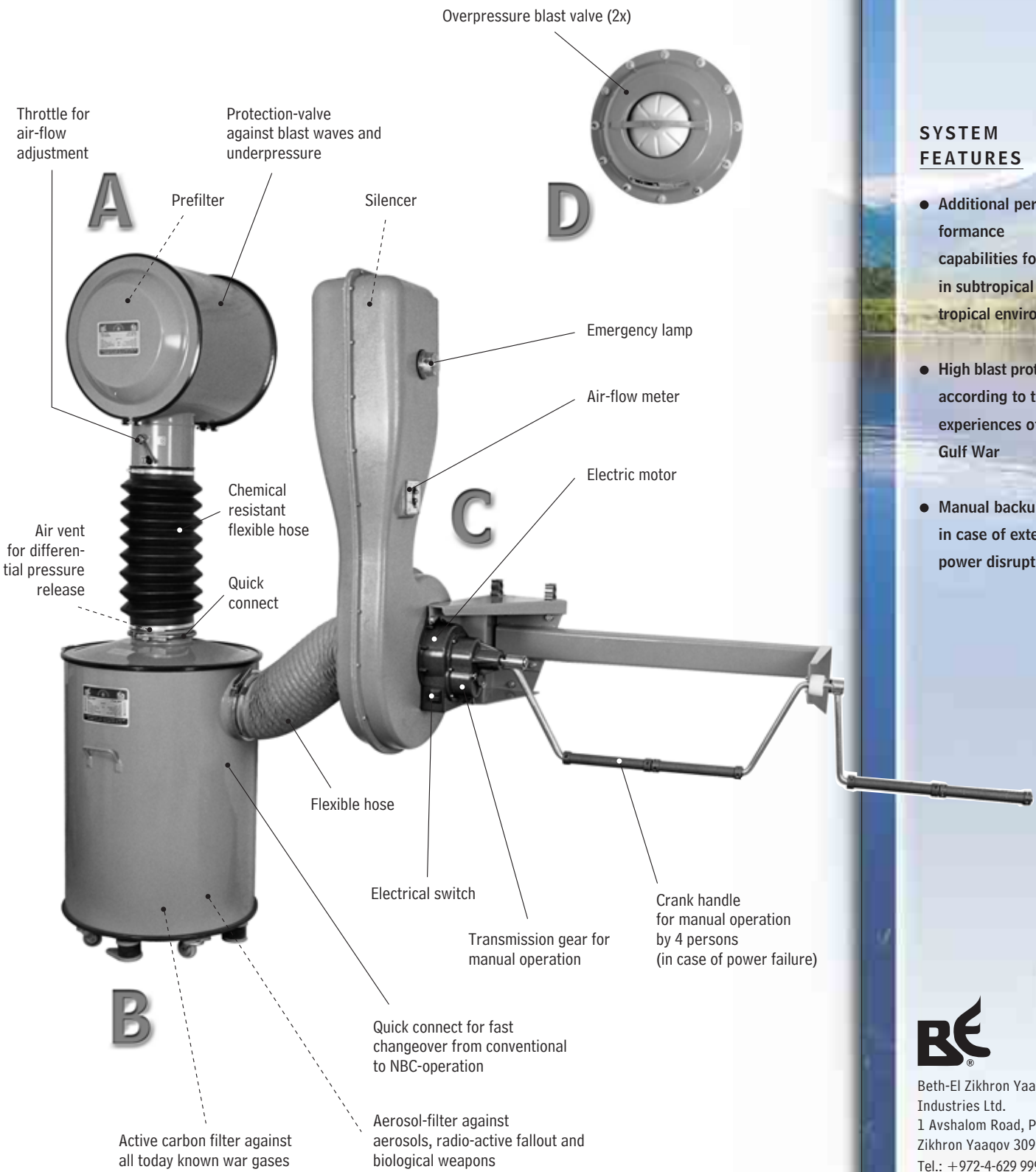
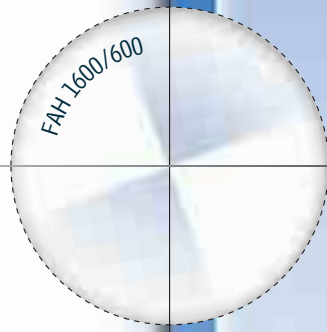
The NBC-Filtration System Type FAH 1600/600 is a collective filtration system for airtight shelters and compartments, certified to supply 1600 m³/h (940 cfm) fresh air and 600 m³/h (350 cfm) filtered air. The system provides filtered air in the case of NBC (Nuclear/Biological/ Chemical) warfare, or fresh air in the case of conventional warfare.

The system creates overpressure inside the protected area providing a safe and comfortable environment without the need for gas masks or protective clothing. The system is operated by normal electric power with manual backup in case of power failure.

A Blast Valve with Prefilter ESVF 1603:			
Pressure durability:		300 (42)	kPa (psi)
Pressure drop:	Ventilation mode	300 (1.2)	Pa (inch WC)
	Filtration mode	50 (0.2)	Pa (inch WC)
B NBC-Filter HF 600 C:			
Air flow rate:		600 (350)	m ³ /h (cfm)
Pressure drop:		580 (2.3)	Pa (inch WC)
Weight of active carbon:		83 (183)	kg (lbs)
Total weight:		176 (388)	kg (lbs)
Separation efficiency with particle size of 0.3 micron:		99.997	%
C Blower LH 1600/600:			
Air flow:	Ventilation mode	1600 (940)	m ³ /h (cfm)
	Filtration mode	600 (350)	m ³ /h (cfm)
Air pressure:	Ventilation mode	860 (3.4)	Pa (inch WC)
	Filtration mode	1570 (6.2)	Pa (inch WC)
Electric motor:	Voltage (single phase)	230	Volt
	Current	4.0	Ampere
Manual operation:		4	Person
Noise level:		68.7	dB(A)
D Overpressure Blast Valve A 803 (2x):			
Pressure durability:		300 (42)	kPa (psi)
Pressure drop:	Ventilation mode	270 (1.1)	Pa (inch WC)
	Filtration mode	140 (0.6)	Pa (inch WC)

Specifications are subject to change without prior notice



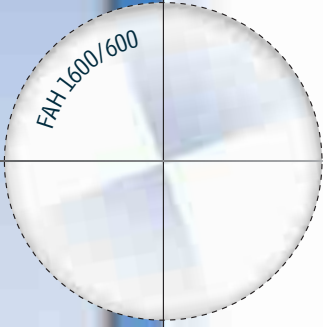


SYSTEM FEATURES

- Additional performance capabilities for use in subtropical and tropical environment
- High blast protection according to the experiences of the Gulf War
- Manual backup in case of external power disruption



Beth-El Zikhron Yaaqov Industries Ltd.
 1 Avshalom Road, P.O. Box 166
 Zikhron Yaaqov 30951, Israel
 Tel.: +972-4-629 9999
 Fax: +972-4-629 1110



Installation Requirements:

1. Standard air tight shelter/ compartment

2. Air inlet:
Standard 8" flange in an outer wall.

Center line:
1.90-2.10 m
(75-85 inches)
above the floor.

3. Air outlet:
Standard 8" flange, located preferably opposite the air inlet.

Specifications are subject to change without prior notice

