



... and life goes on !



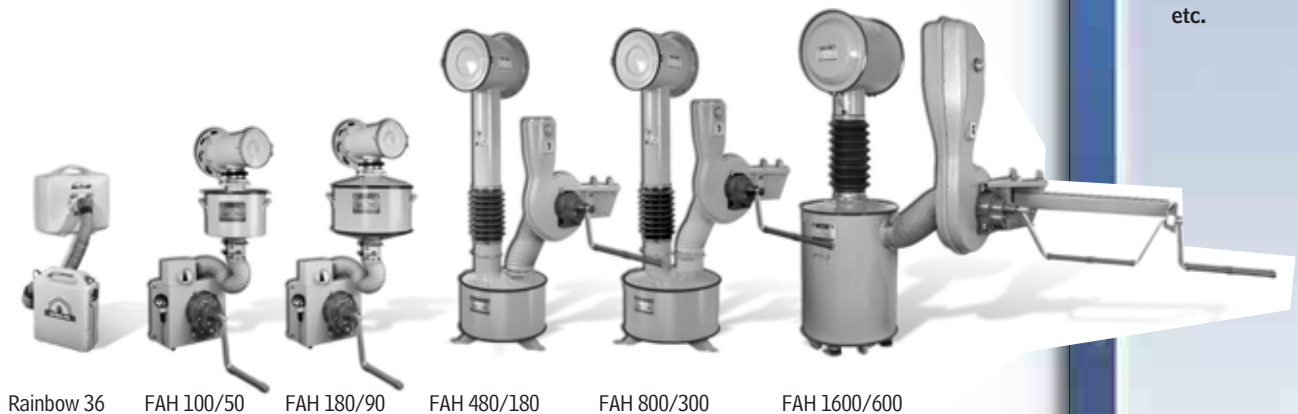
## NBC Filtration System

### Type FA 2400/900

Certified to compliance with the  
Israeli Standard 4570 by the  
**ISRAELI STANDARDS INSTITUTION** and  
the **ISRAELI CIVIL DEFENCE COMMAND**

#### SYSTEM FEATURES

- NBC-Protection  
for 150 Persons  
(according to  
Israeli Standard)
- For large,  
collective shelters  
as in hospitals,  
hotels, skyscrapers  
etc.



Rainbow 36

FAH 100/50

FAH 180/90

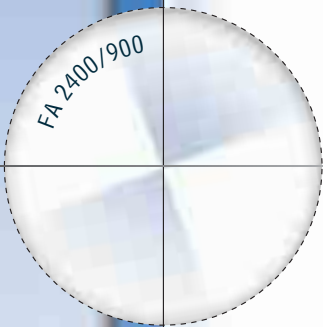
FAH 480/180

FAH 800/300

FAH 1600/600



Beth-El Zikhron Yaaqov  
Industries Ltd.  
1 Avshalom Road, P.O. Box 166  
30951 Zikhron Yaaqov, Israel  
Tel.: +972-4-629 9999  
Fax: +972-4-629 1110



**Certifications:**

- Tested and certified by the Standards Institution of Israel and the Israeli Institute for Biological Research
- Approved by the Civil Defence Command
- CE - Hallmarks for Electrical Safety and EMI compliance
- Quality Control according to ISO 9001 and AQAP 120



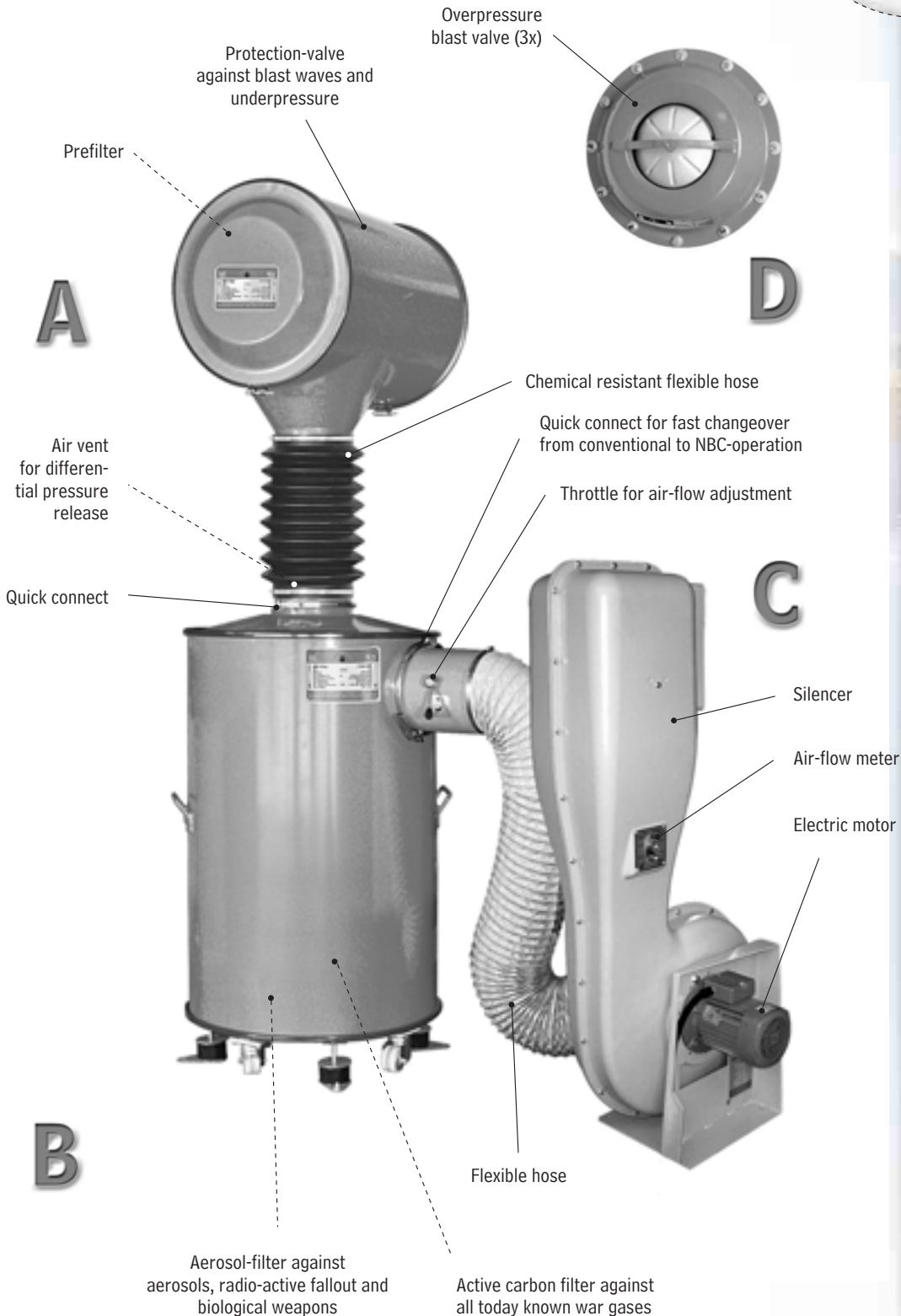
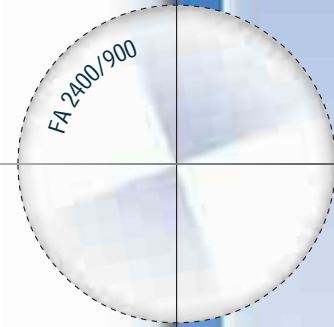
**Description:**

The NBC-Filtration System Type FA 2400/900 is a collective filtration system for airtight shelters and compartments, certified to supply 2400 m<sup>3</sup>/h (1420 cfm) fresh air and 900 m<sup>3</sup>/h (533 cfm) filtered air. The system provides filtered air in the case of NBC (Nuclear/Biological/ Chemical) warfare, or fresh air in the case of conventional warfare.

The system creates overpressure inside the protected area providing a safe and comfortable environment without the need for gas masks or protective clothing. The system is operated by normal electric power.

<b>A Blast Valve with Prefilter ESVF 2403:</b>			
Pressure durability:		300 (42)	kPa (psi)
Pressure drop:	Ventilation mode	360 (1.42)	Pa (inch WC)
	Filtration mode	70 (0.28)	Pa (inch WC)
<b>B NBC-Filter HF 900 E:</b>			
Air flow rate:		900 (533)	m <sup>3</sup> /h (cfm)
Pressure drop:		1000 (3.9)	Pa (inch WC)
Weight of active carbon:		83 (183)	kg (lbs)
Total weight:		180 (395)	kg (lbs)
Separation efficiency with particle size of 0.3 micron:		99.995	%
<b>C Blower L 2400/900:</b>			
Air flow:	Ventilation mode	2400 (1420)	m <sup>3</sup> /h (cfm)
	Filtration mode	900 (533)	m <sup>3</sup> /h (cfm)
Air pressure:	Ventilation mode	2200 (8.7)	Pa (inch WC)
	Filtration mode	2400 (9.5)	Pa (inch WC)
Electric motor:	Voltage (single phase)	400	Volt
	Current	4.1	Ampere
Noise level (with sound absorber):		~ 70	dB(A)
<b>D Overpressure Blast Valve A 803 (2x):</b>			
Pressure durability:		300 (42)	kPa (psi)
Pressure drop:	Ventilation mode	270 (1.1)	Pa (inch WC)
	Filtration mode	140 (0.6)	Pa (inch WC)

Specifications are subject to change without prior notice

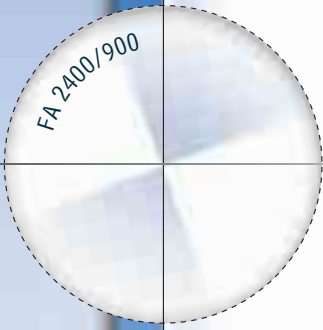


**SYSTEM FEATURES**

- Additional performance capabilities for use in subtropical and tropical environment
- High blast protection according to the experiences of the Gulf War



Beth-El Zikhron Yaaqov Industries Ltd.  
 1 Avshalom Road, P.O. Box 166  
 30951 Zikhron Yaaqov, Israel  
 Tel.: +972-4-629 9999  
 Fax: +972-4-629 1110

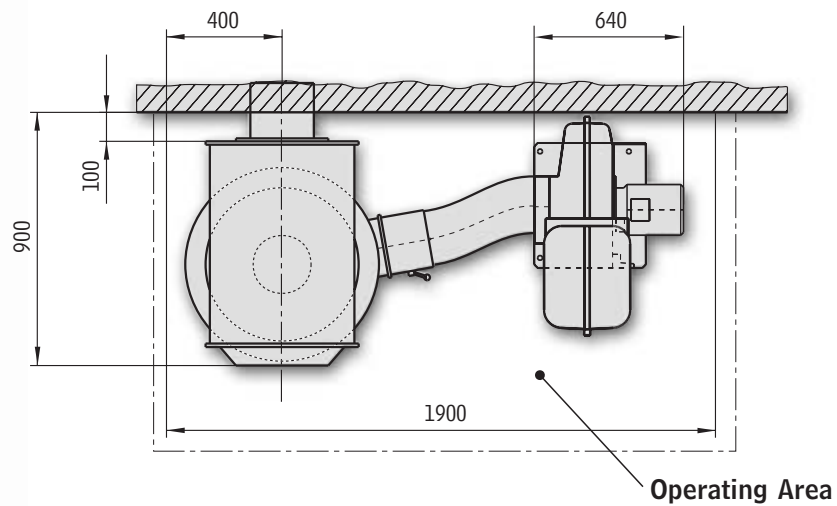
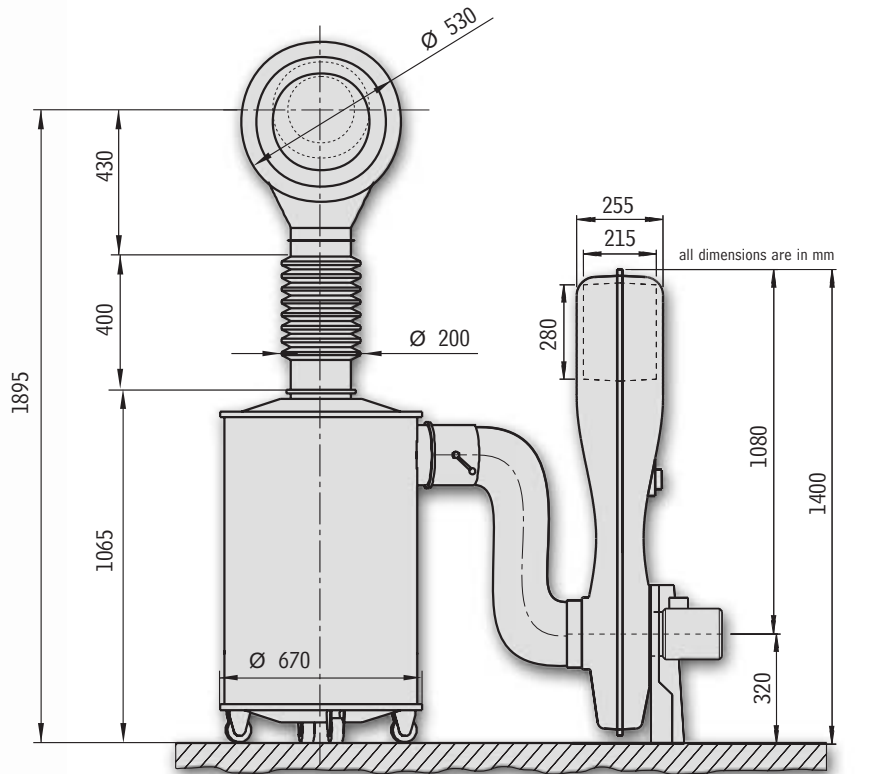


**Installation Requirements:**

1. Standard air tight shelter/ compartment
2. **Air inlet:**  
Standard 8" flange in an outer wall.

Center line:  
1.90-2.10 m  
(75-85 inches)  
above the floor.

3. **Air outlet:**  
Standard 8" flange, located preferably on the wall opposite the air inlet.



Specifications are subject to change without prior notice

